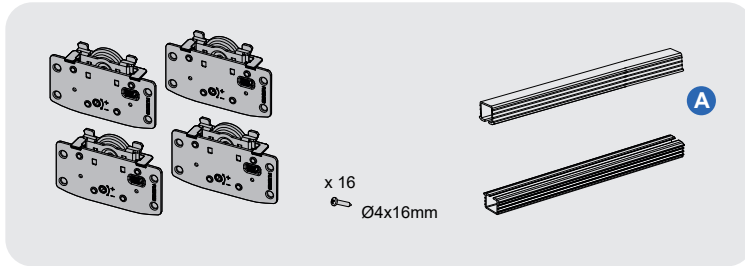


FLOW 2 - RECESSED INSTALLATION

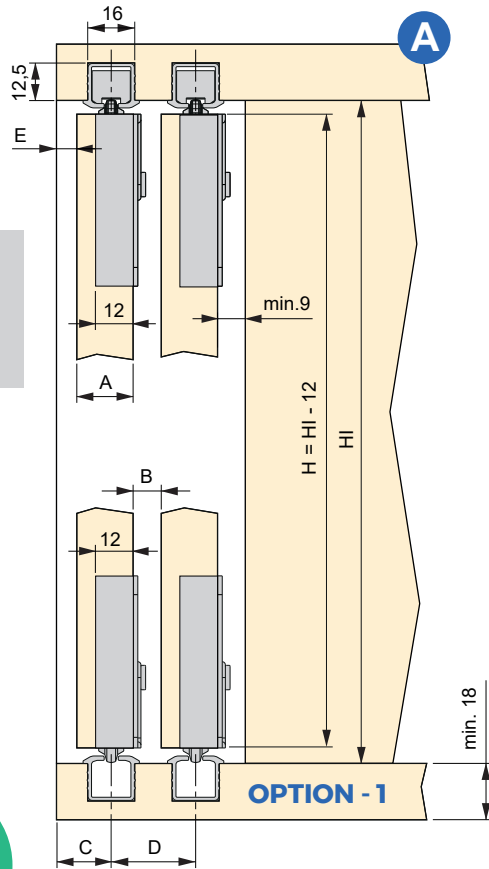
1/7

emuca 
where creation begins

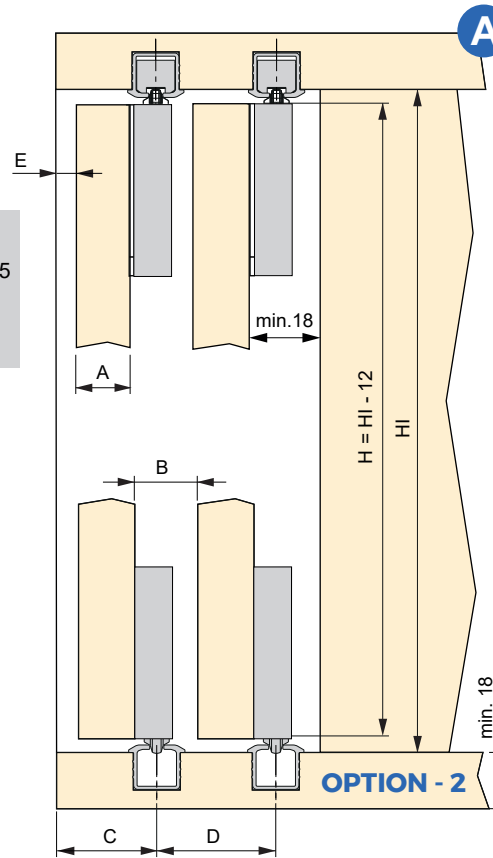
RECESSED INSTALLATION / DA INCASSO / MONTAJE EMPOTRAR / ENCASTRER
MONTAGEM EMBUTIR / DO MONTAŽU PODTYNKOWEGO



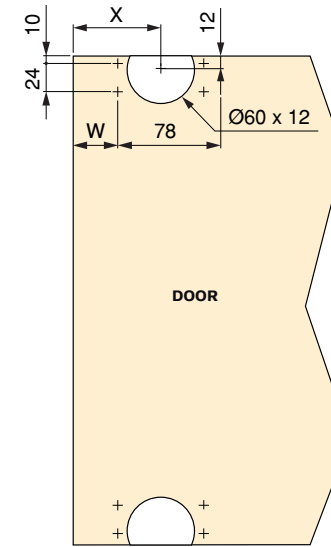
$D = A + B$
 $C = A + E - 7$
B min. = 9



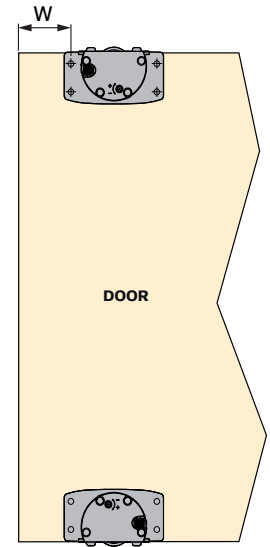
$D = A + B$
 $C = A + E + 7,5$
B min. = 18



	X	W
NORMAL	min. 150mm	min. 111mm
INVERTED	min. 60mm	min. 21mm
No SLOW	min. 60mm	min. 21mm

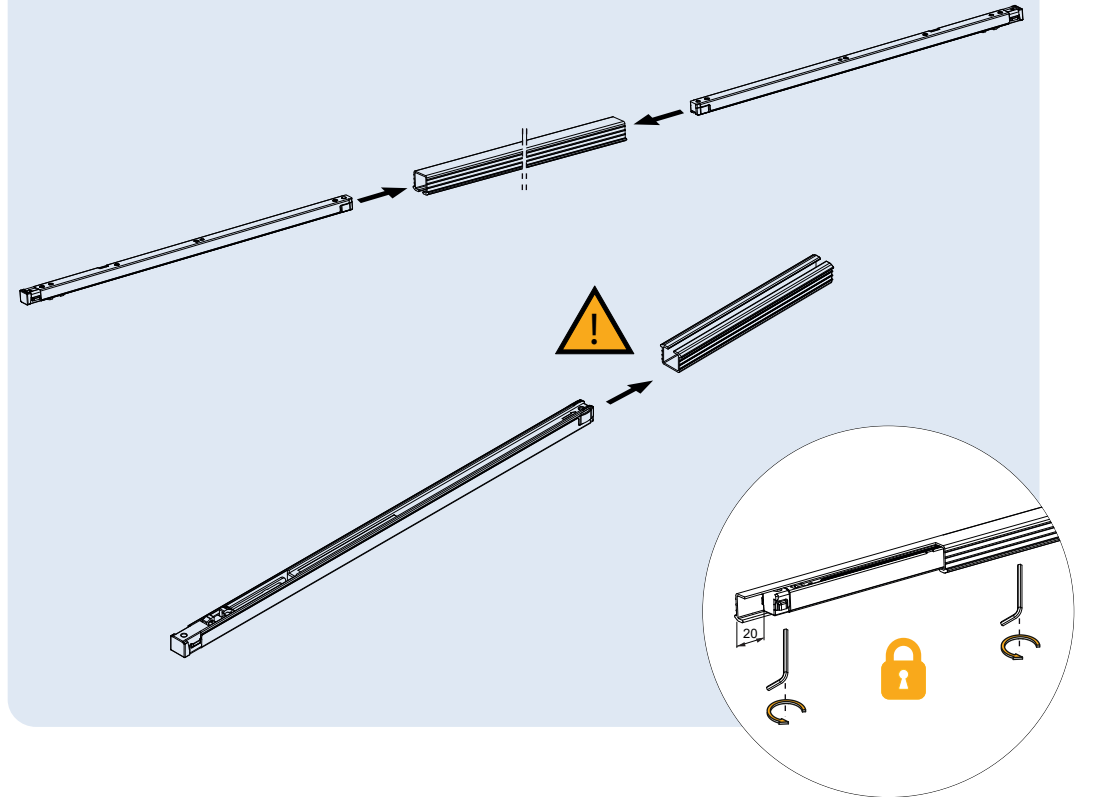
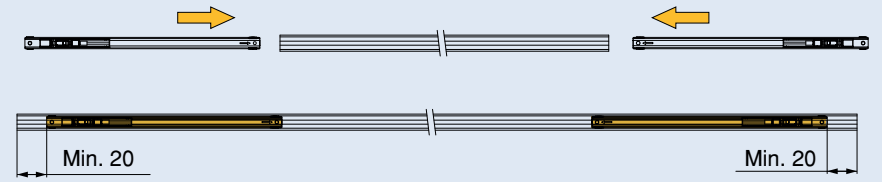
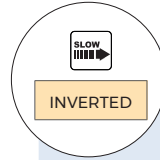
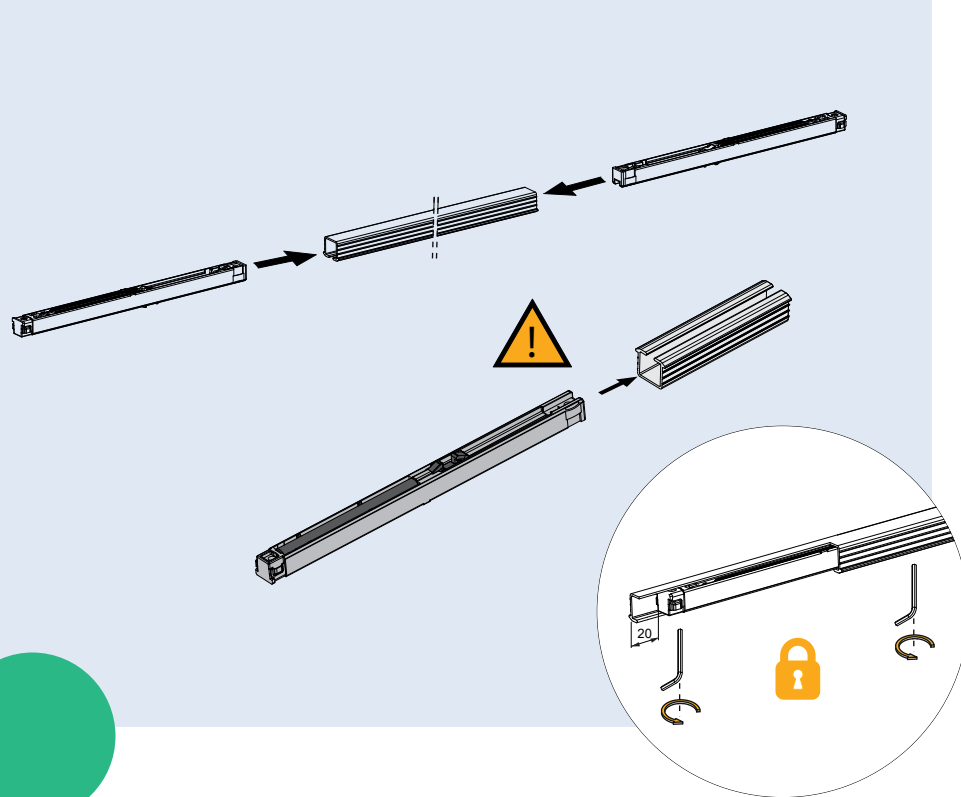
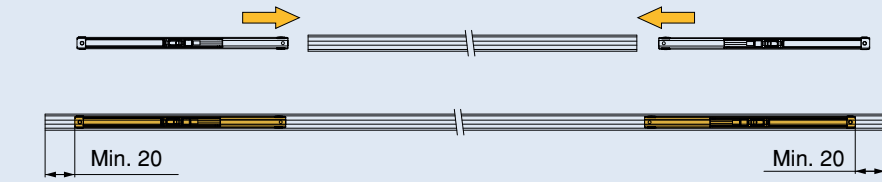
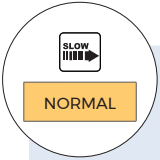


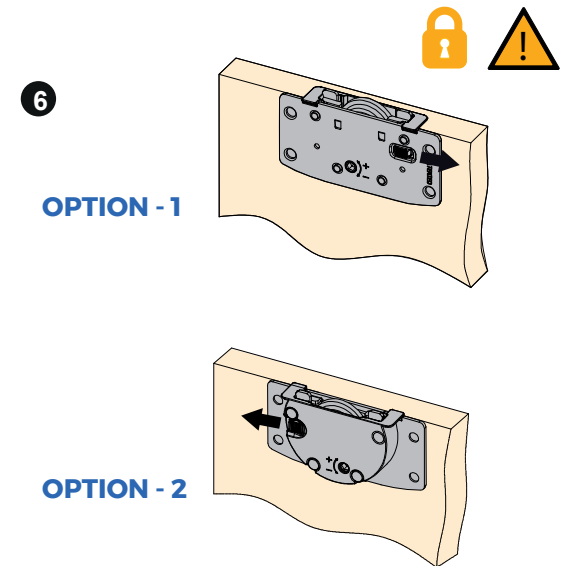
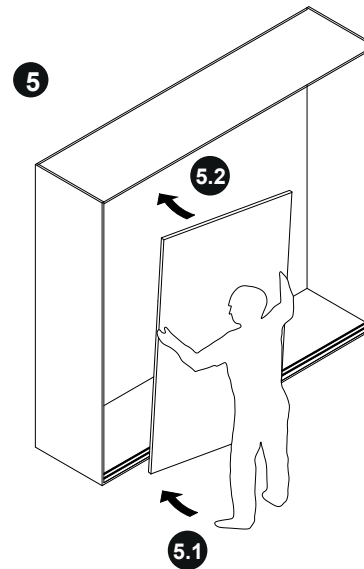
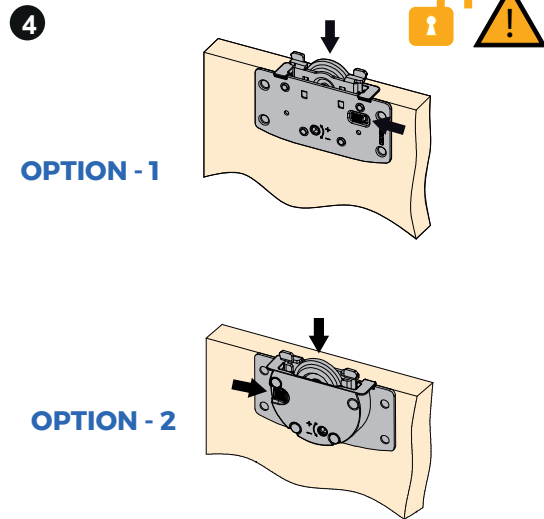
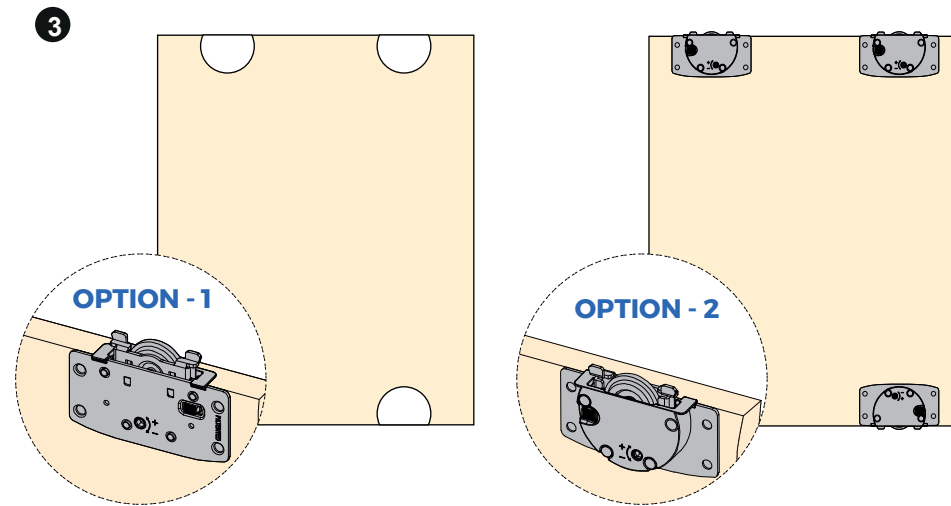
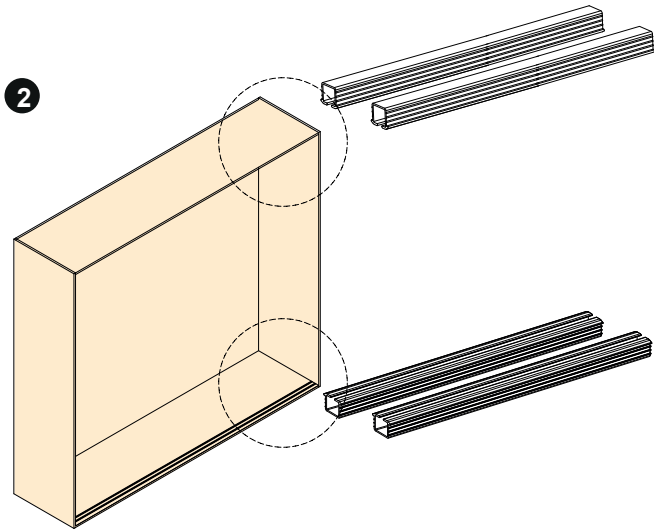
OPTION - 1



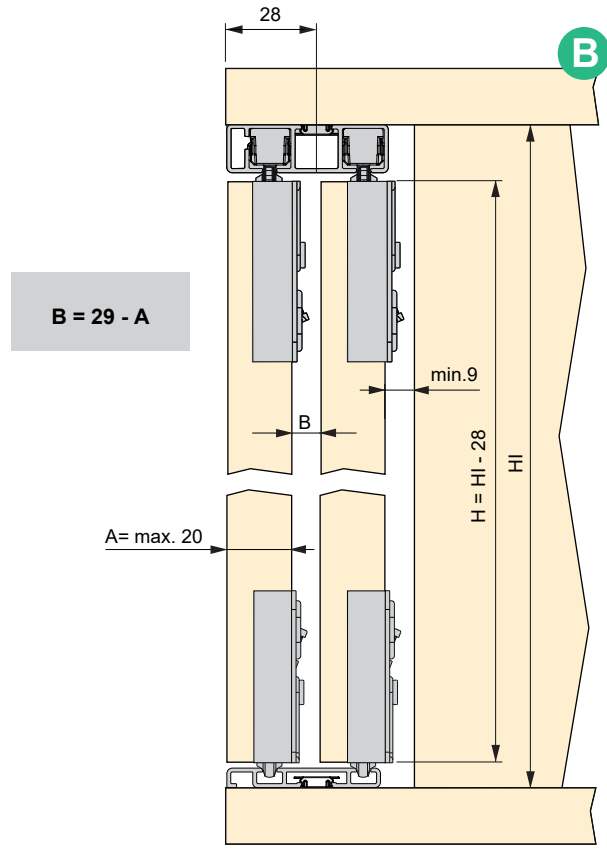
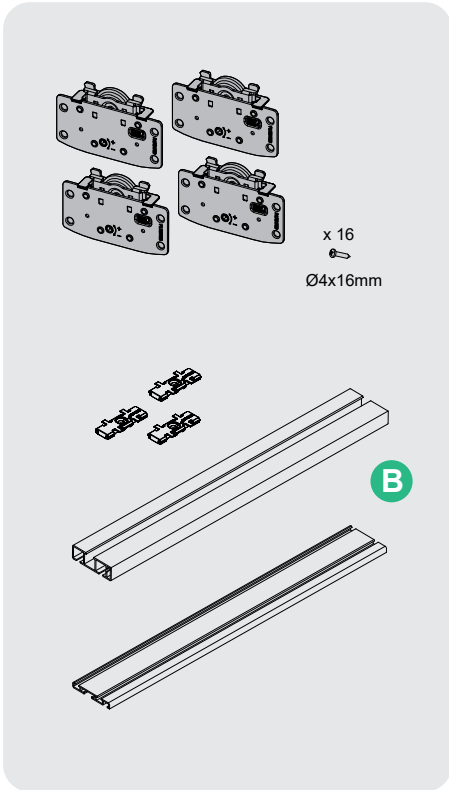
OPTION - 2

1 SLOW



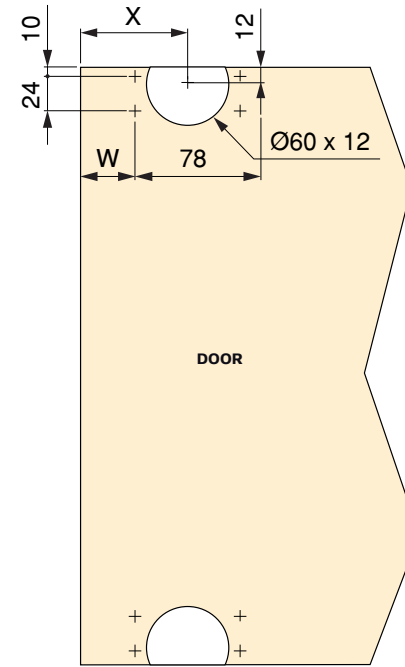


SURFACE MOUNT / A SUPERFICIE / MONTAJE SUPERFICIE / MONTAGE EN SURFACE
MONTAGEM SUPERFÍCIE / SURFACEMOUNT



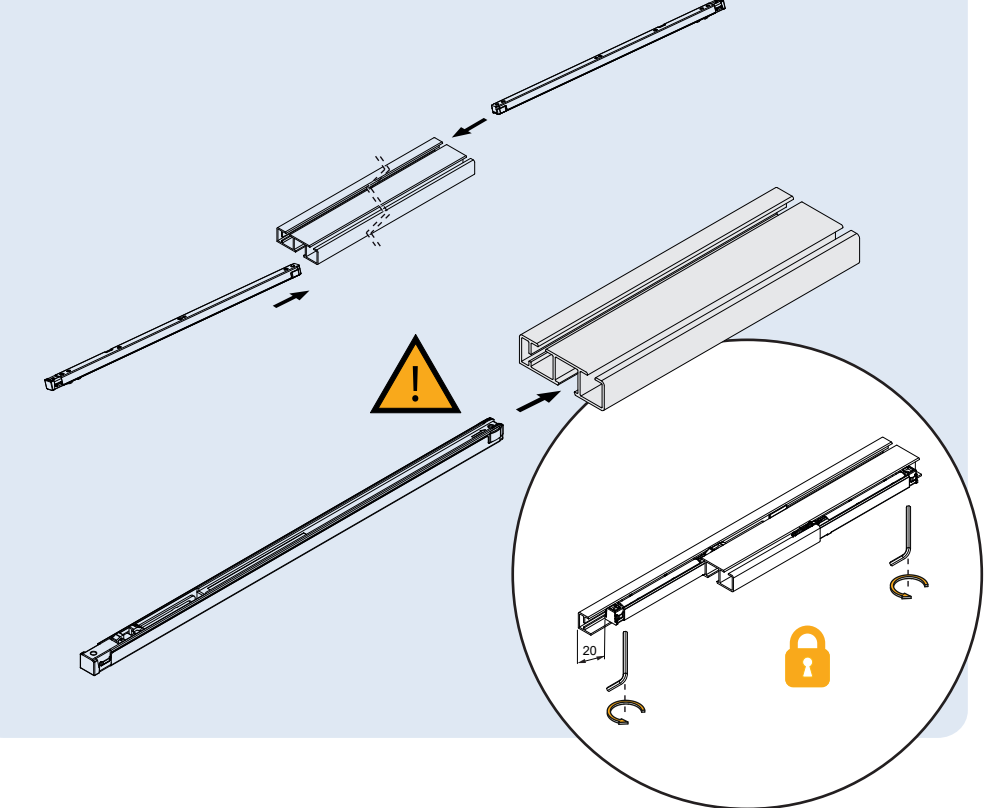
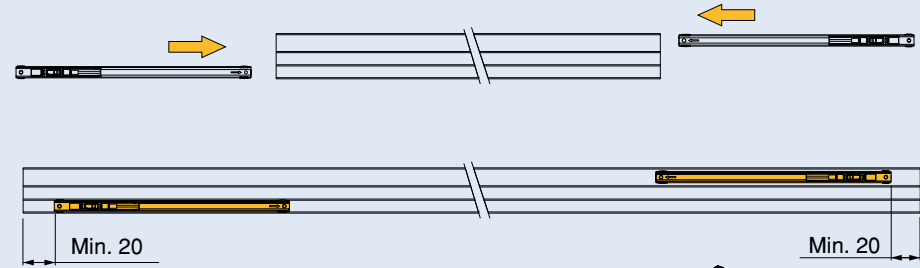
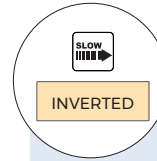
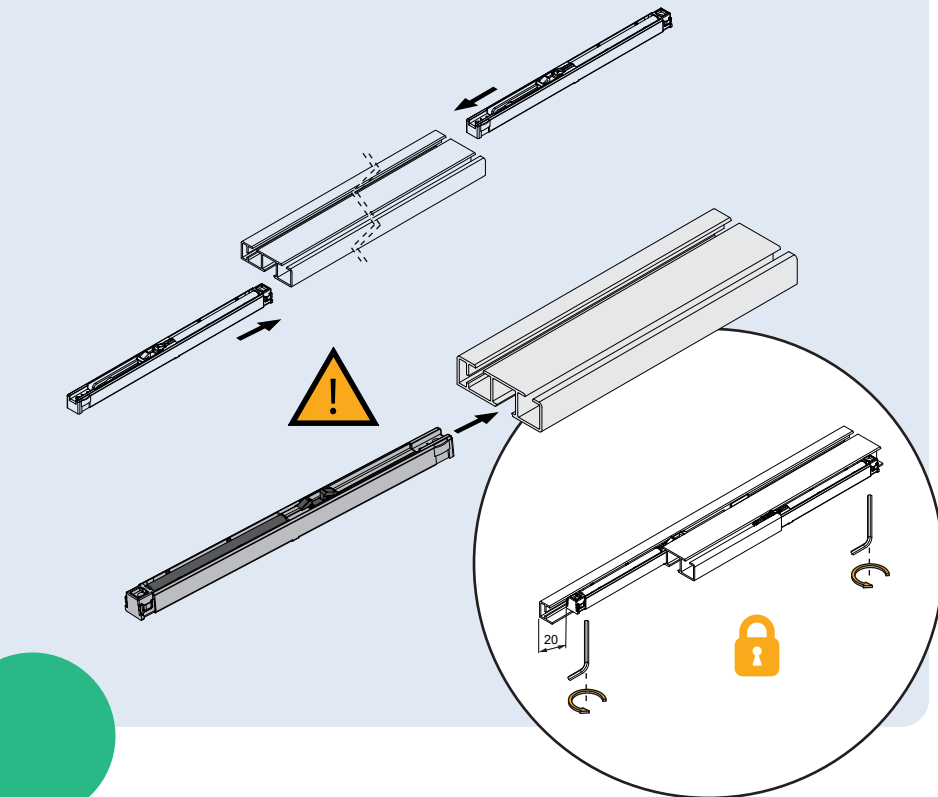
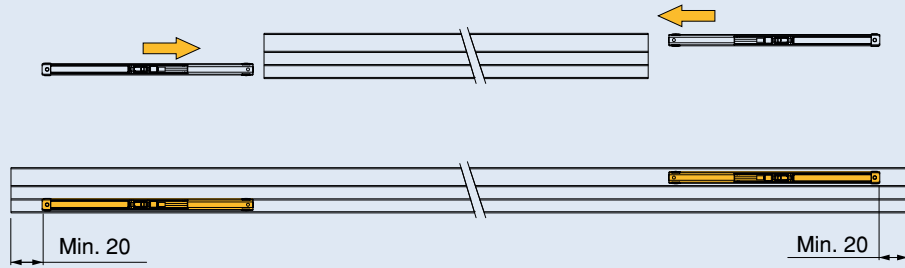
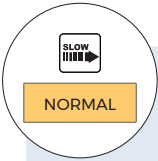
$B = 29 - A$

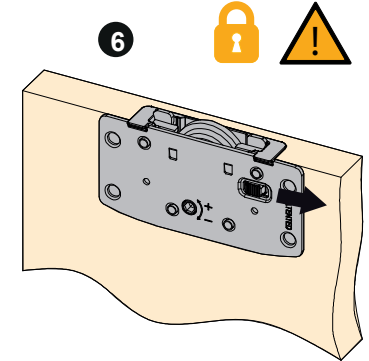
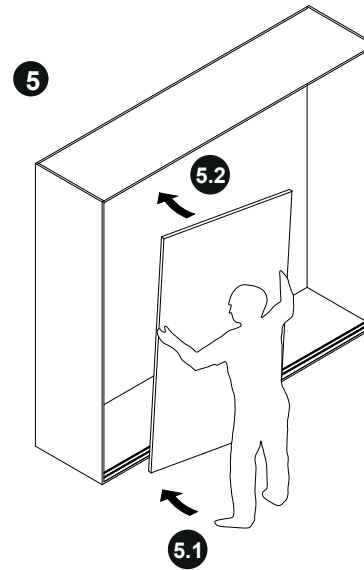
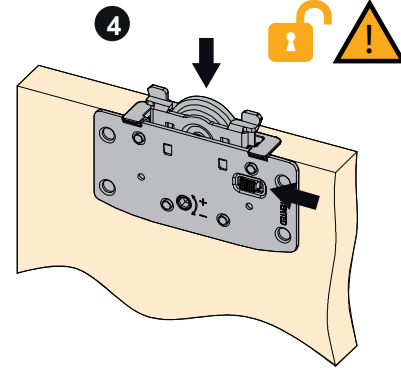
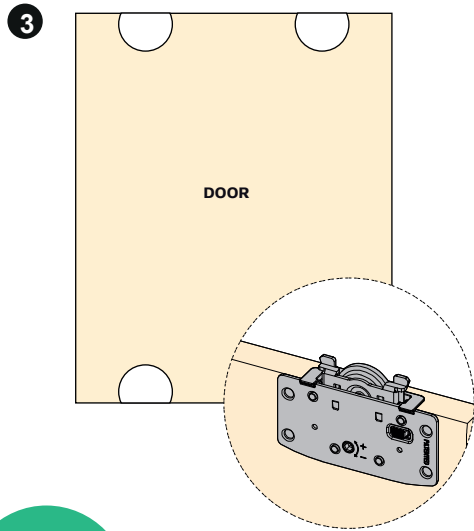
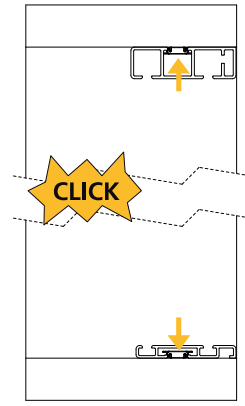
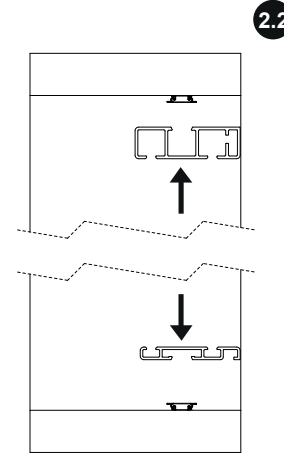
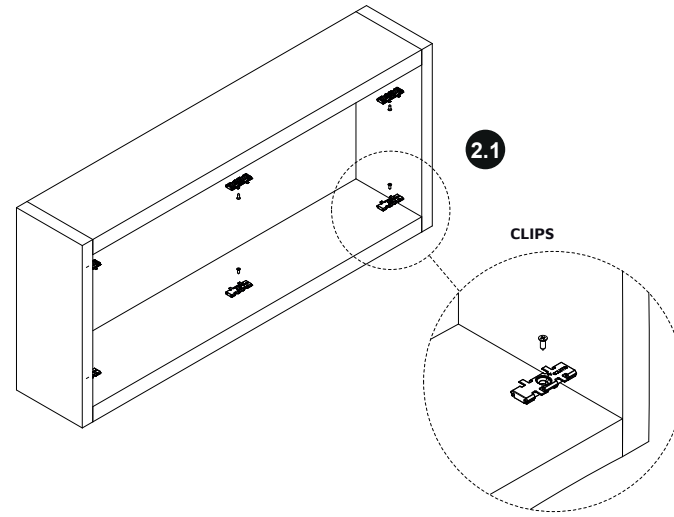
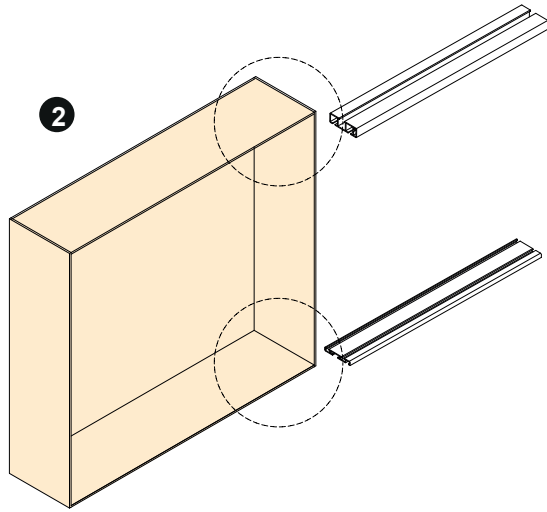
 SLOW	X	W
NORMAL	min. 150mm	min. 111mm
INVERTED	min. 60mm	min. 21mm
No SLOW	min. 60mm	min. 21mm



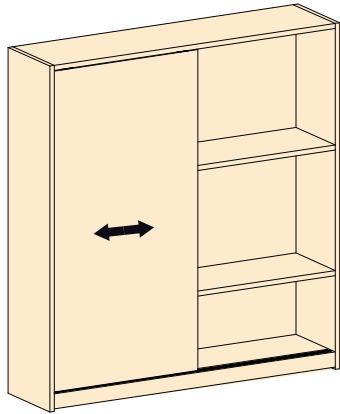
OPTION - 1

1 SLOW



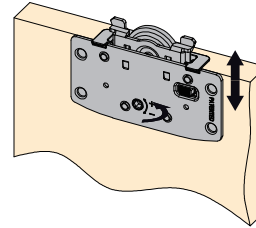


REGULATION

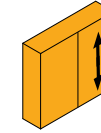


Push the door at the end to position the damper, adjust the doors horizontal.

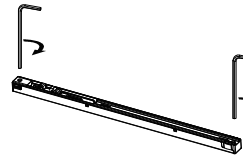
OPTION - 1



Adjust regulating up roller.

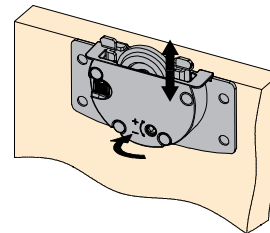


0 / +9

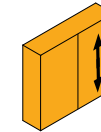


Lock the damper.

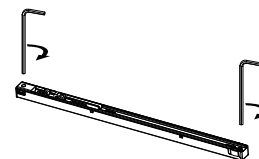
OPTION - 2



Adjust regulating up roller.



0 / +9



Lock the damper.